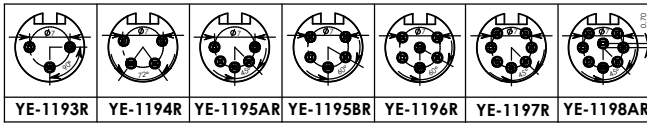
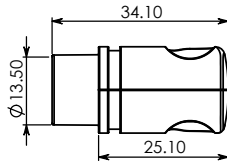
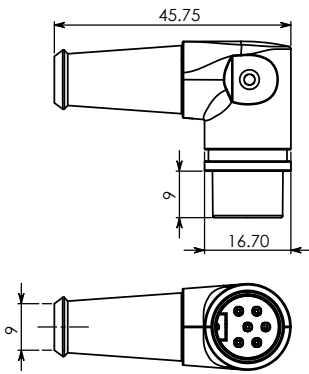


YE-119XR DIN CABLE PLUG METAL SHIELD RIGHT ANGLE ASS'Y



MATERIAL :

1. SHIELD COVER : Zn ALLOY NICKEL PTD.
2. STRAIN BOOT : PVC
3. SET SCREW : STEEL NICKEL PTD.
4. SHIELD RING: Zn ALLOY NICKEL PTD.
5. HOUSING : PA66
6. TERMINALS : BRASS SILVER PTD.

SPECIFICATION :

Rating : 100V AC 1A max.

Contact Resistance :

Pins 30mΩ max.

Shell 50mΩ max.

Insulation Resistance :

100MΩ at 500V DC min.

Voltage Withstand :

250V AC for 1 minute



YE-1193R



YE-1194R



YE-1195AR



YE-1195BR



YE-1196R



YE-1197R



YE-1198AR